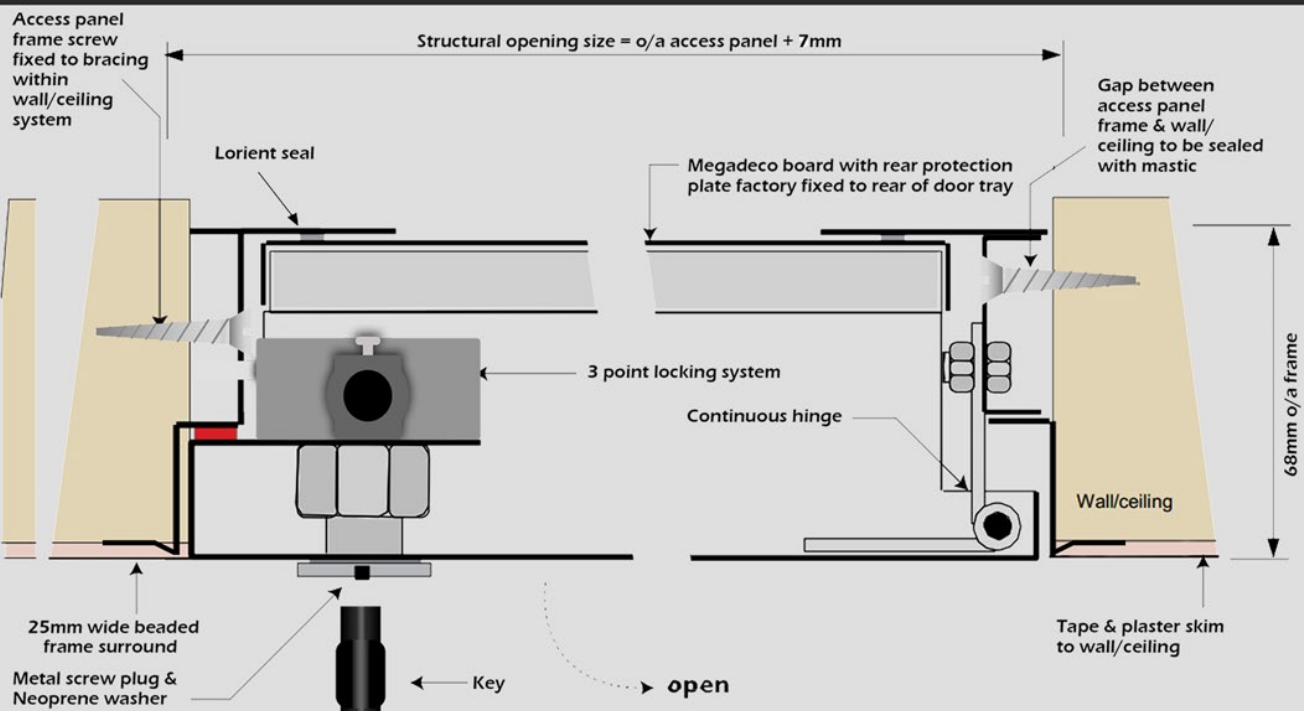


WD/SB/AT

FOR WALL ONLY

Suitable for use in any type of wall/ceiling system within a building that requires some form of containment, e.g. computer rooms, hospital wards, swimming pools etc.



Description

This panel is designed to fit into the structural membrane of jointless plasterboard wall/ceiling systems. It is supplied with a beaded frame to allow for tape and jointing on site and comes complete with a fully removable flush metal door. It is inserted directly into a pre-cut hole through the face of the wall/ceiling prior to wet finishes being applied.

Construction

Constructed from 1.2mm and 1mm thick Zintec Steel, with a polyester powder coating of matt white Ral 9010, 20% Gloss (other colours available upon request). This panel is also available in stainless steel for use in corrosive areas (quote using product code and ref SS). The removable flush metal door has a continuous metal hinge, and is sealed at the back with Megadeco board and a rear protection plate. A Lorient airseal strip is provided between the rear of the panel door and frame. The door is secured using a three point locking system.

Dimensions

Any panel sizes can be manufactured to order within maximum and minimum dimensional constraints. For further information please contact our Technical Sales Department.

Fitting

The access panel should be screw fixed through the side of the panel frame, and will require independent bracing and support which is sufficient to secure and also allow safe opening of the access panel within the wall/ceiling system. When installing the access panel, the actual size of structural opening in the wall/ceiling needs to be +5mm greater than the overall panel dimension e.g. structural opening for 600 x 600mm will be 605 x 605mm.

Tel: +44 (0)24 7635 2771 Fax: +44 (0)24 7635 2761

E-mail: sales@exitile.com

www.exitile.com

