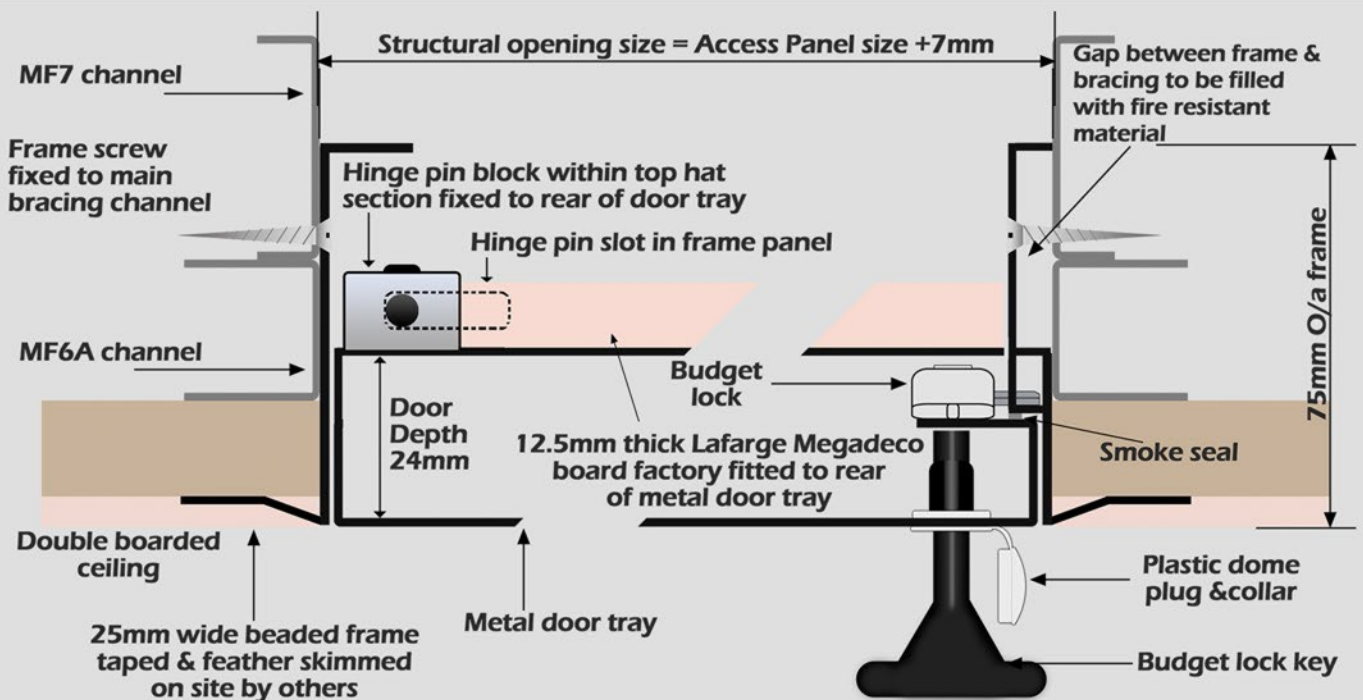


# MT/SB/FD/060

FOR  
CEILING  
ONLY

Designed to fit into any type of fire rated ceiling system, allowing easy access into the cavity/void where regular maintenance to services is required to be carried out.

<b>Lock Type</b>					<p><b>Rated</b></p> <p><b>Fire Rating</b></p>	<p><b>Non Rated</b></p> <p><b>Airtight</b></p>	<p><b>Non Rated</b></p> <p><b>Acoustic</b></p>



## Description

This panel is designed to fit into the structural membrane of jointless plasterboard ceiling systems. It is supplied with a beaded frame to allow for tape and jointing on site and comes complete with a fully removable flush metal door. It is inserted directly into a pre-cut hole through the face of the ceiling prior to wet finishes being applied. This is a 1 Hour Fire Rated Access Panel which has been tested to B.S.476: Part 22:1987.

## Construction

Constructed from 1.2mm and 1mm thick Zintec Steel, with a polyester powder coating of matt white Ral 9010, 20% Gloss (other colours available upon request). The panels are also available in Stainless Steel for use in corrosive areas (quote using product code and ref SS). The removable door trays are fitted with a sliding pin hinge and standard budget lock.

## Dimensions

Standard stock sizes are shown below. Non-standard sizes can be manufactured to order up to a maximum of 600 x 600mm. Sizes are the overall dimension to back edge of frame: 300 x 300mm 450 x 450mm 600 x 600mm

## Fitting

The access panel should be screw fixed through the side of the panel frame, and will require independent bracing and support which is sufficient to secure and also allow safe opening of the access panel within the ceiling system. When installing the access panel, the actual size of structural opening in the ceiling needs to be +7mm greater than the overall panel dimension e.g. structural opening for 600 x 600mm will be 607 x 607mm.

Tel: +44 (0)24 7635 2771 Fax: +44 (0)24 7635 2761

E-mail: sales@exitile.com

www.exitile.com

exitile