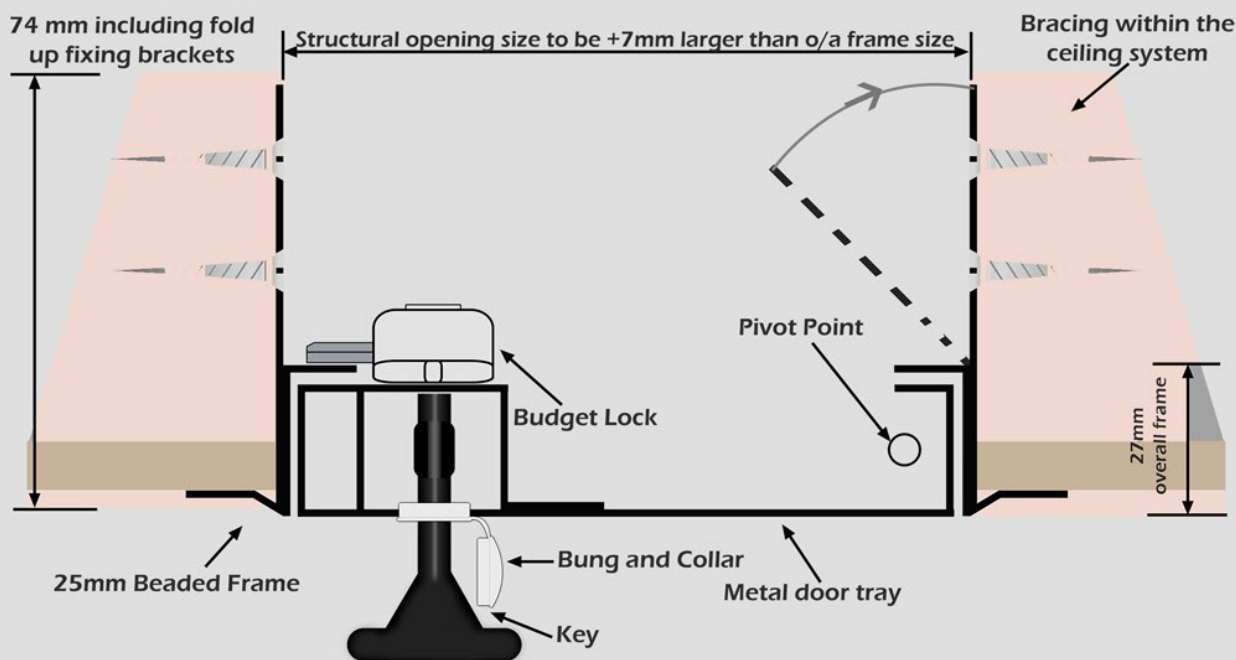


MP/SB

FOR
CEILING
& WALL

Designed to fit into any type of wall or ceiling system allowing easy access into the cavity/void where regular maintenance to services is required to be carried out.

Lock Type							
	Budget	Suited	Tamper	5mm Bit	Non Rated	Non Rated	Non Rated



Description

Designed to fit into the structural membrane of jointless plasterboard wall systems. Supplied with a beaded frame to allow for tape and jointing on site and comes complete with a fully removable flush metal door. It is inserted directly into a pre-cut hole through the face of the wall prior to wet finishes being applied.

Construction

The MP range are constructed from 1mm thick Zintec Steel, and comprise of a fixing frame and a fully demountable door. All surfaces are fully protected with a polyester powder coating of white Ral 9010 20% gloss (other colours available upon request). The door is fitted with a pin hinge, and is secured using a standard budget lock.

Dimensions

Please note that the MP Range can be supplied in any size up to a maximum of 600 x 600mm only. For larger sizes please refer to our standard range of access panels, or contact our sales office.

Fitting

The access panel should be screw fixed through the side of the panel frame, and will require independent bracing and support which is sufficient to secure and also allow safe opening of the access panel within the wall/ceiling system. When installing the access panel, the actual size of structural opening in the wall/ceiling needs to be +7mm greater than the overall panel dimension e.g. structural opening for 600 x 600mm will be 607 x 607mm.

Tel: +44 (0)24 7635 2771 Fax: +44 (0)24 7635 2761

E-mail: sales@exitile.com

www.exitile.com

